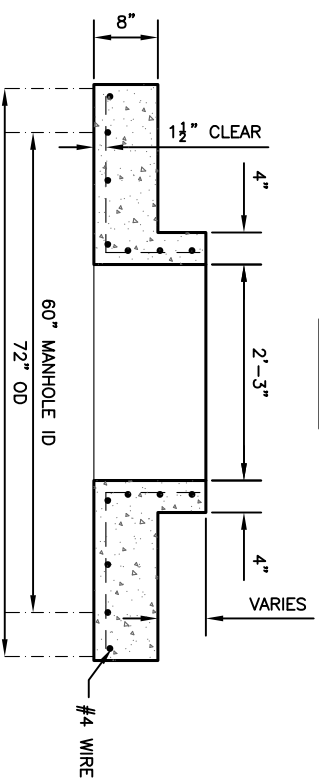
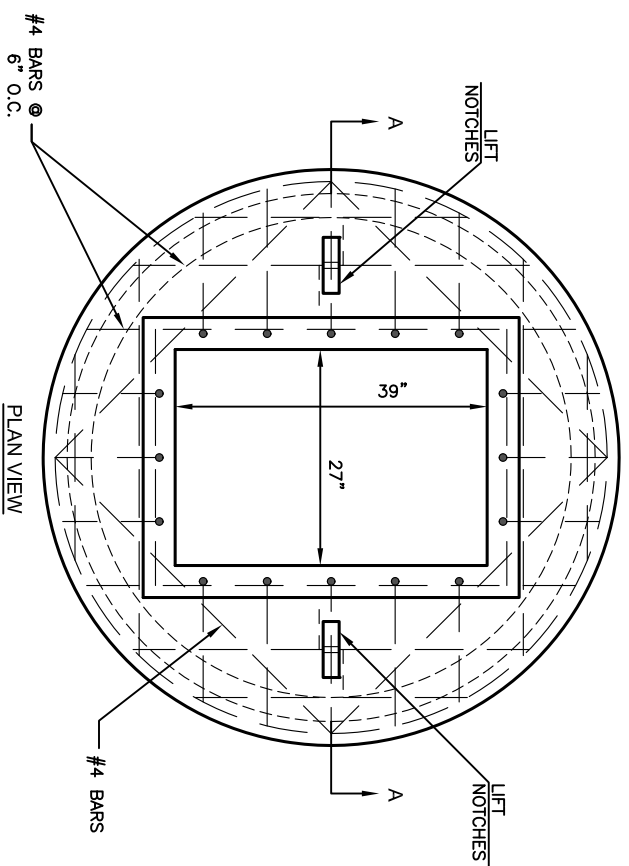
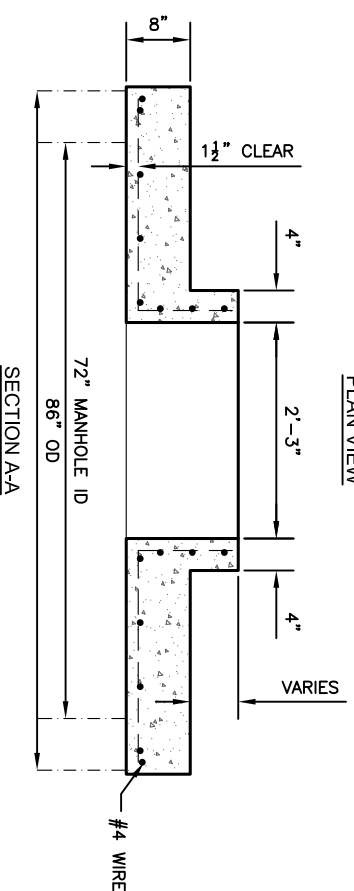
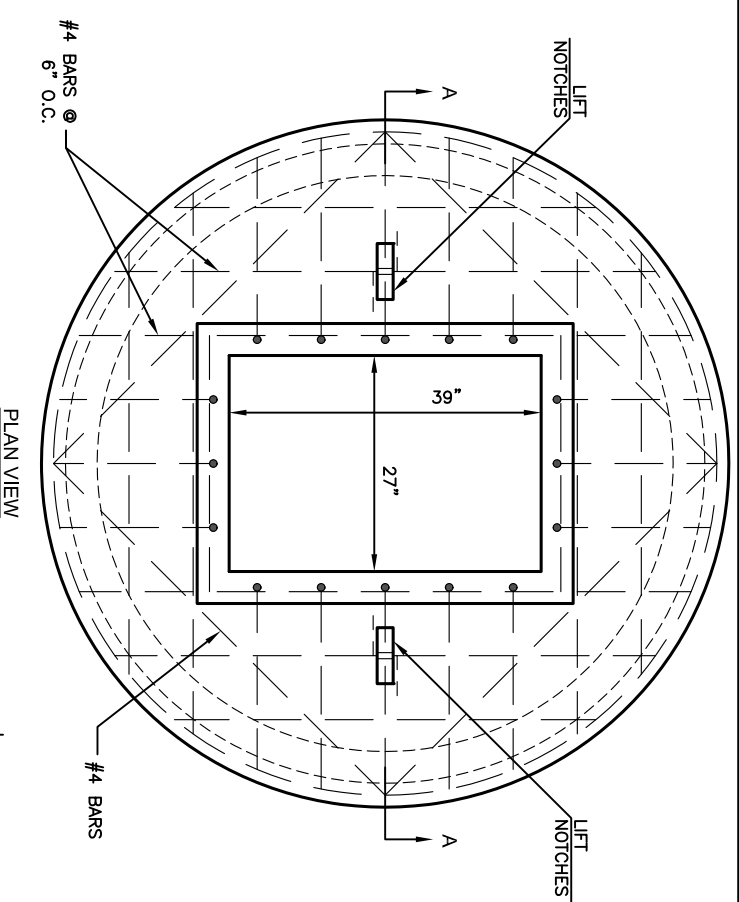


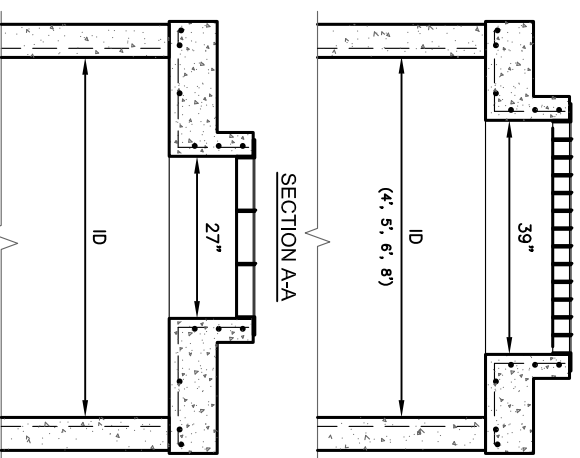
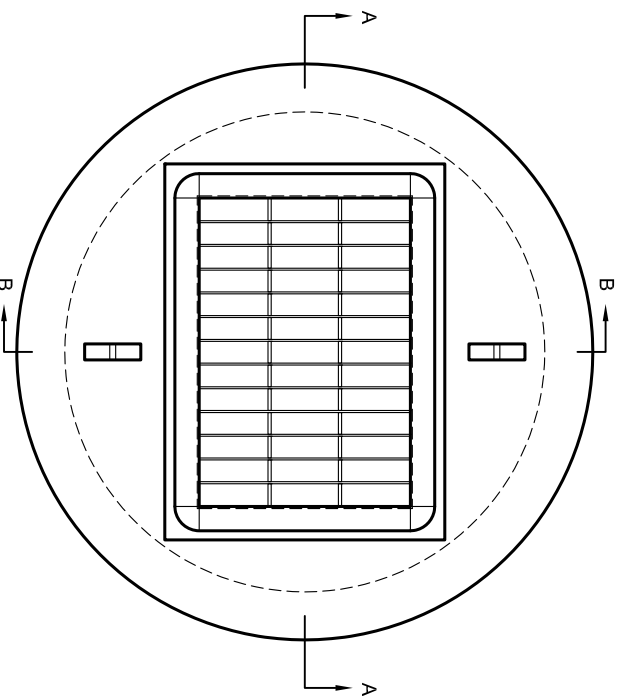
**4' DIA. PRECAST TOP**



**5' DIA. PRECAST TOP**

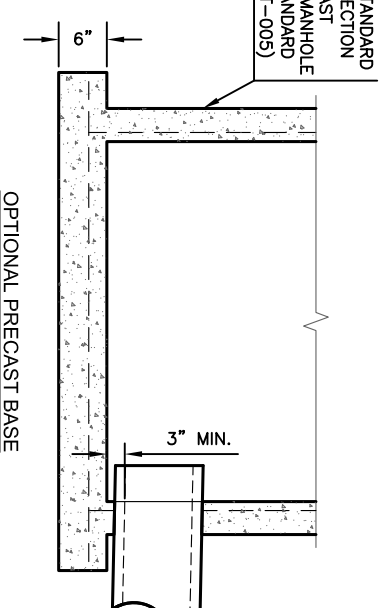


**6' DIA. PRECAST TOP**



**PRECAST TYPE II-P AREA INLET MANHOLE**

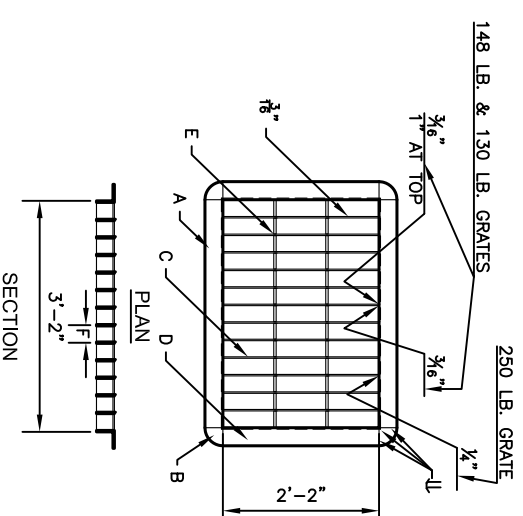
NOTE: MAXIMUM PIPE INTRUSION INTO STRUCTURE IS 6".  
UNIQUE STRUCTURES MIGHT REQUIRE ADDITIONAL ANALYSIS.  
ENGINEER APPROVAL REQUIRED.



148 LB. PEDESTRIAN GRATE	
A	2 EA. 1/2" x 3/8" x 3' x 3'-1 1/2"
B	4 EA. 1/2" x 3/8" x 0'-3"
C	25 EA. 1/2" x 3/8" x 2'-1 1/2"
D	2 EA. 1/2" x 3/8" x 2'-1 1/2"
E	52 EA. 1/2" x 1 1/2" x 0'-1 1/2"
F	1 1/2" O.C.

250 LB. TRAFFIC GRATE	
A	2 EA. 1/2" x 3/8" x 3' x 3'-1 1/2"
B	4 EA. 1/2" x 3/8" x 0'-3"
C	12 EA. 1/2" x 3/8" x 2'-1 1/2"
D	2 EA. 1/2" x 3/8" x 2'-1 1/2"
E	26 EA. 1/2" x 1 1/2" x 0'-2 1/2"
F	2 1/2" O.C.

130 LB. YARD GRATE	
A	2 EA. 1/2" x 3/8" x 3' x 3'-1 1/2"
B	4 EA. 1/2" x 3/8" x 0'-3"
C	12 EA. 1/2" x 3/8" x 2'-1 1/2"
D	2 EA. 1/2" x 3/8" x 2'-1 1/2"
E	26 EA. 1/2" x 1 1/2" x 0'-2 1/2"
F	2 1/2" O.C.



**AREA INLET GRATE**

NO.	DATE:	REVISION
2	June 2018	Ext pipe into struc, Added max intr node
1	Feb. 2008	Update

DRAWN BY: *lm/Enc*  
APP'D BY: *R. Chandy*

SHAWNEE COUNTY, KANSAS  
PUBLIC WORKS DEPARTMENT  
1515 NW 54th AVE  
TOPEKA, KS 66618  
(785) 233-7702

TOPEKA Public Works ENGINEERING  
620 SE MADISON St., 2nd Floor • TOPEKA, KS 66607  
Phone: (785) 388-3842 • Fax: (785) 388-3881

STANDARD DETAILS

TYPE II-P AREA INLET MANHOLE (PRECAST) (DT-013)

DATE: \_\_\_\_\_  
SHEET: \_\_\_\_\_  
PROJ.: \_\_\_\_\_