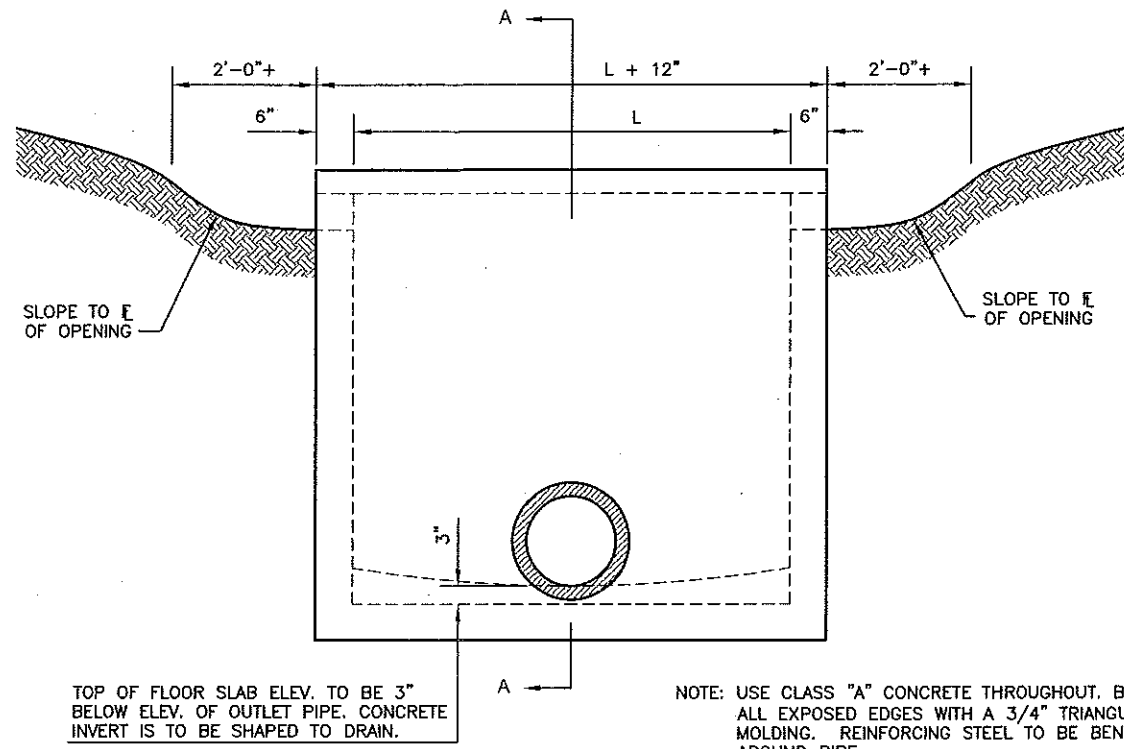
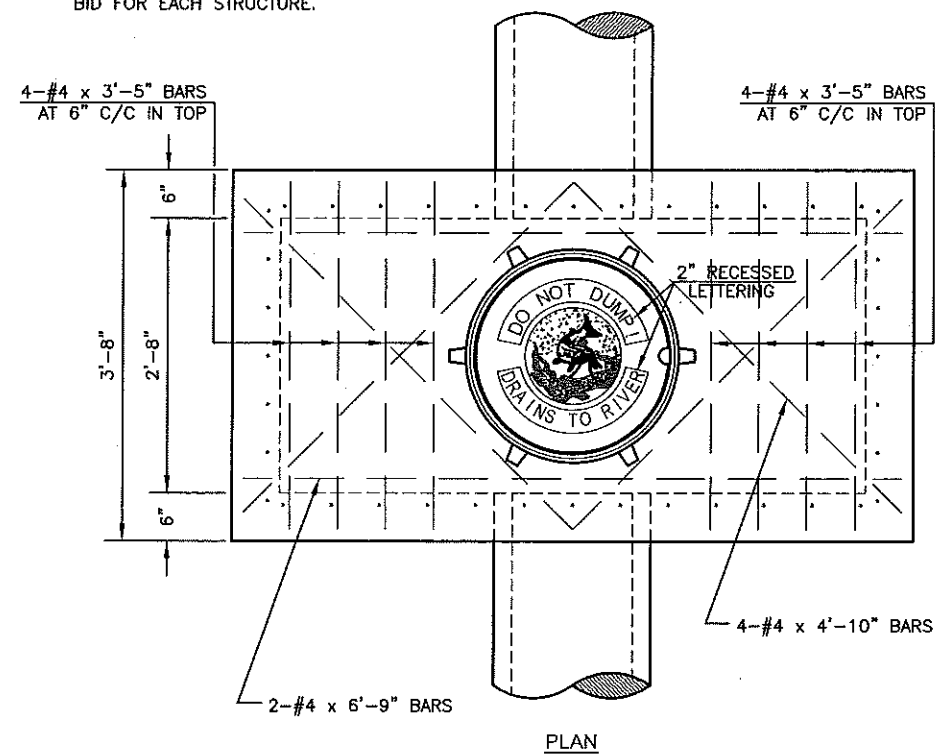


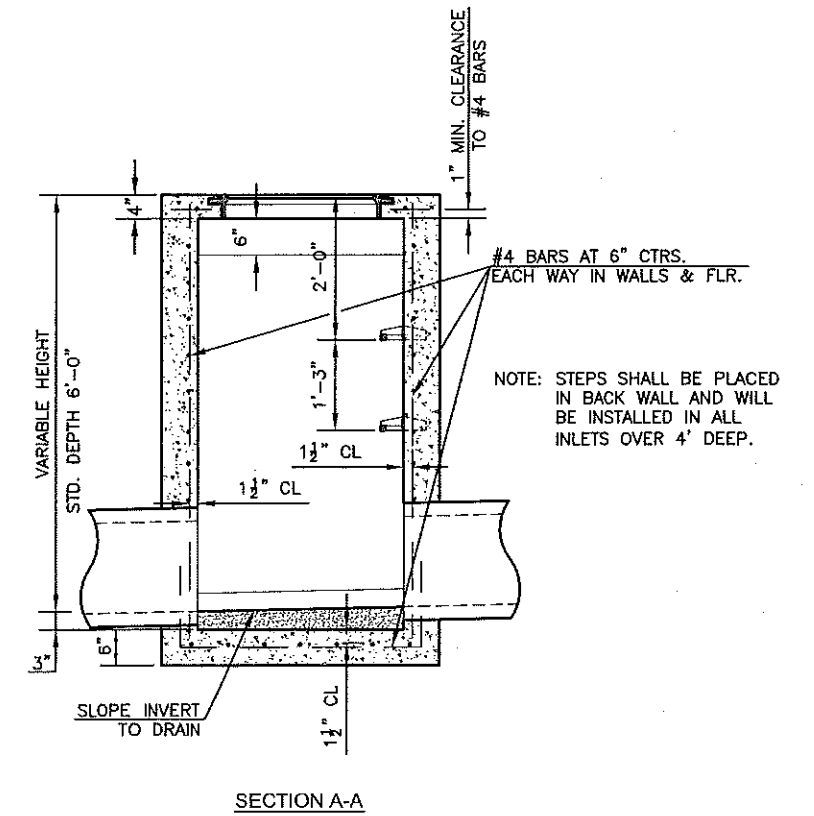
NOTE: REINF. STEEL BARS IN DITCH INLET SHALL BE INCLUDED IN THE PRICE BID FOR EACH STRUCTURE.



TOP OF FLOOR SLAB ELEV. TO BE 3" BELOW ELEV. OF OUTLET PIPE. CONCRETE INVERT IS TO BE SHAPED TO DRAIN.

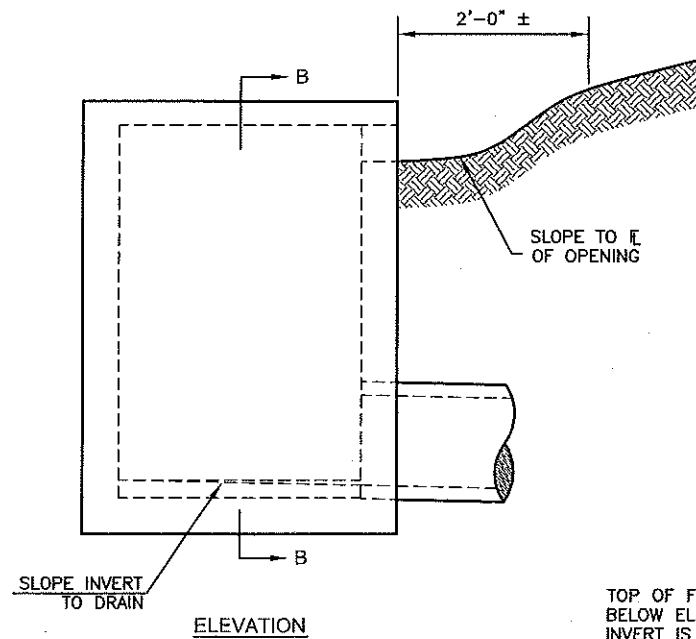
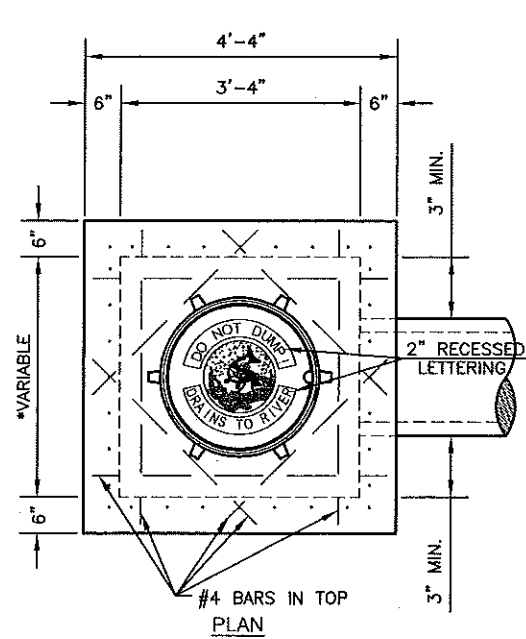
NOTE: USE CLASS "A" CONCRETE THROUGHOUT. BEVEL ALL EXPOSED EDGES WITH A 3/4" TRIANGULAR MOLDING. REINFORCING STEEL TO BE BENT AROUND PIPE.

ELEVATION
DITCH INLET-TYPE I



NOTE: STEPS SHALL BE PLACED IN BACK WALL AND WILL BE INSTALLED IN ALL INLETS OVER 4' DEEP.

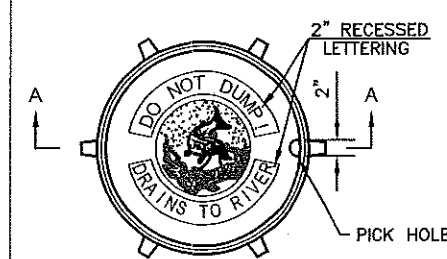
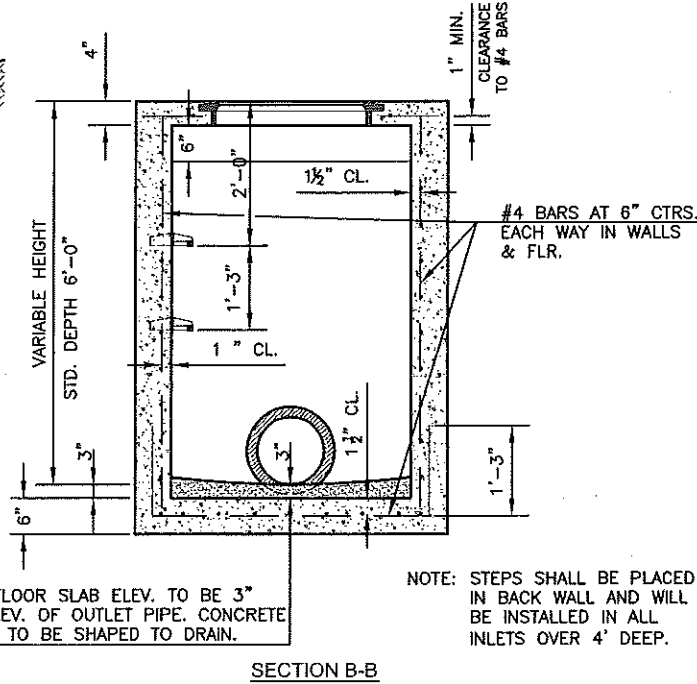
SECTION A-A



TOP OF FLOOR SLAB ELEV. TO BE 3" BELOW ELEV. OF OUTLET PIPE. CONCRETE INVERT IS TO BE SHAPED TO DRAIN.

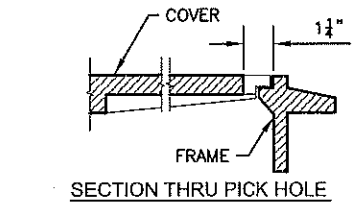
NOTE: STEPS SHALL BE PLACED IN BACK WALL AND WILL BE INSTALLED IN ALL INLETS OVER 4' DEEP.

ELEVATION
DITCH INLET-TYPE IV

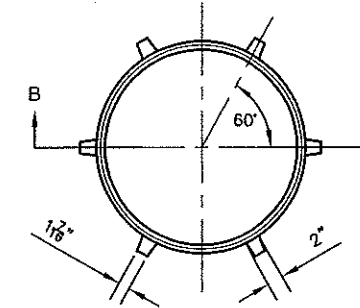


SECTION A-A
COVER CASTING

WT. 85 lbs.



SECTION THRU PICK HOLE



SECTION B-B
FRAME CASTING

WT. 60 lbs.

FRAME & COVER

COMBINED WEIGHT 145 LBS.

NOTE: USE CLASS "A" CONCRETE THROUGHOUT. BEVEL ALL EXPOSED EDGES WITH A 3/4" TRIANGULAR MOLDING. REINFORCING STEEL TO BE BENT AROUND PIPE.

REINFORCING STEEL BARS IN DITCH INLET SHALL BE INCLUDED IN THE PRICE BID FOR EACH STRUCTURE.

6" MAX. CLEAR SPACING BETWEEN #4 BARS AND FACE OF WALL.

* PLACE ADDITIONAL BARS WHEN REQ'D.

NO.	DATE	REVISION	BY	APP'D
1	Feb. 2008	Mod. MH Covers	DHS SB	

DRAWN BY: *rm/mc*
APP'D BY: *R. Christy King*



**SHAWNEE COUNTY, KANSAS
PUBLIC WORKS DEPARTMENT**
1815 NW SALINE
TOPEKA, KS 66618
(785) 233-7702



620 SE MADISON ST. • 2nd Floor • TOPEKA, KS 66607
Phone: (785) 366-3642 • Fax: (785) 366-3681

STANDARD DETAILS

DITCH INLET
(DT-012)

DATE: Month Year

SHEET: X of X

PROJ.: X-XXXXXX.XX