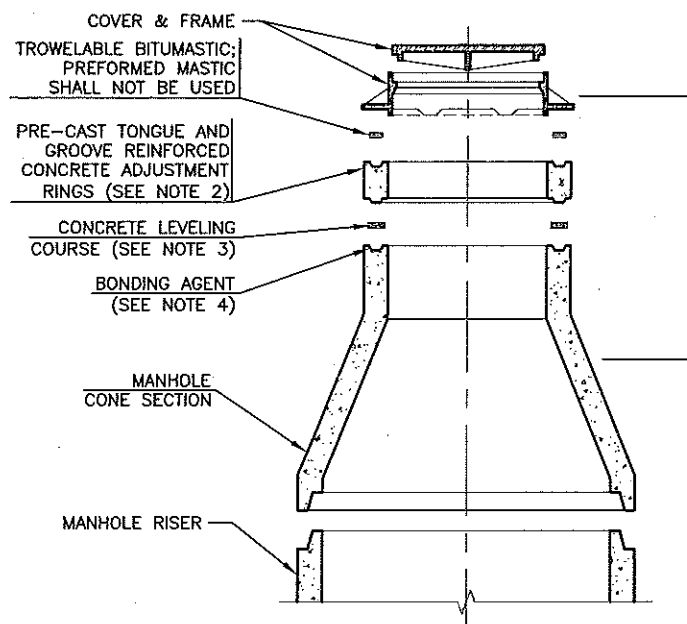
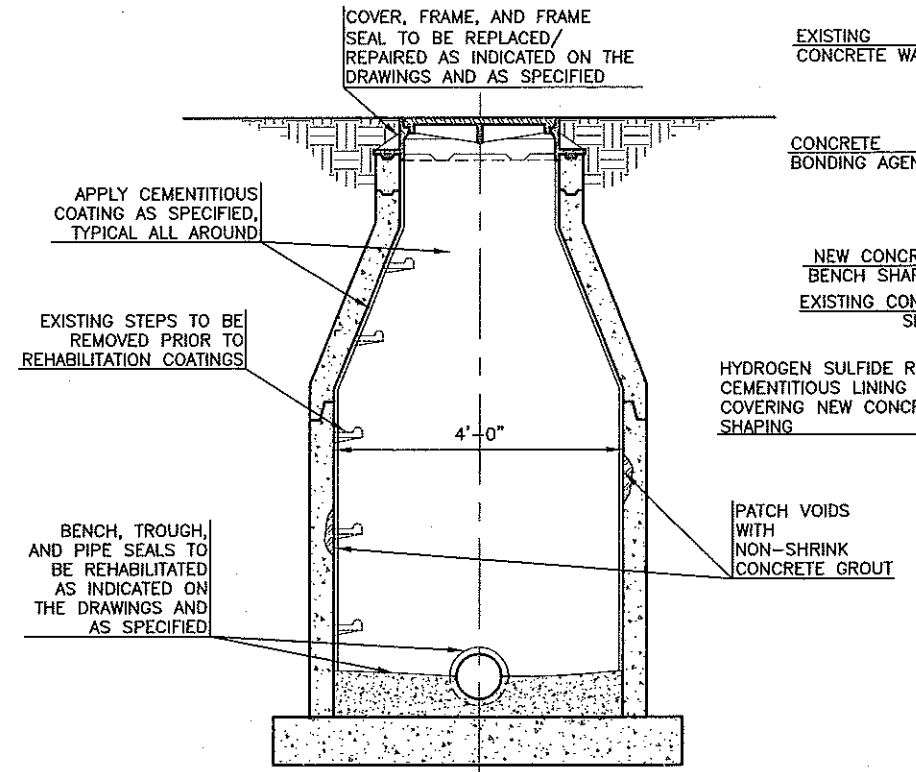


STEP REMOVAL DETAILS



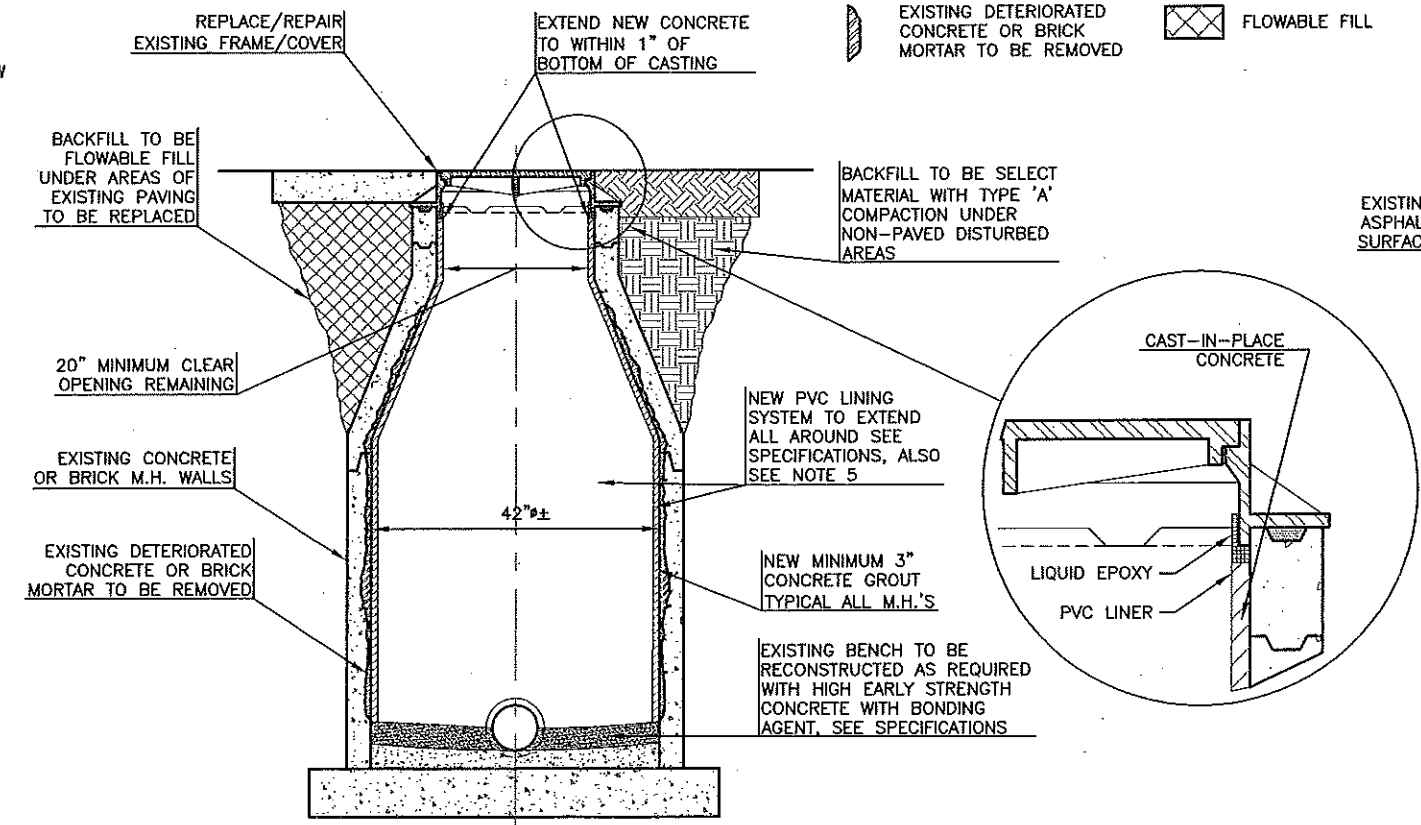
COVER, FRAME, FRAME SEAL, GRADE ADJUSTMENT DETAILS

- NOTES:**
- FOR COLD OR WET WEATHER CONDITIONS, USE TNEMEC 465 BLACK, SERIES 46, H.B. TNEMECOL.
 - IF MULTIPLE RINGS ARE USED, BITUMASTIC SEALER SHALL BE USED BETWEEN RINGS.
 - ALL LEVELING FOR SLOPED STREETS OR GRADES SHALL BE ACCOMPLISHED WITH THE CONCRETE LEVELING COURSE. BITUMASTIC SHALL NOT BE USED TO ACCOMPLISH LEVELING.
 - CONCRETE BONDING AGENT SHALL BE 'WELD-CRETE' (R) BY LARSEN PRODUCTS CORP. OF JESSUP, MD., OR EQUAL.
 - OVERLAPPING OR OPEN JOINTS WHERE 2 SHEETS OF PVC MEET, OR WHERE PVC HAS BEEN CUT, SHALL HAVE HEAT FUSION WELD STRIPS APPLIED.

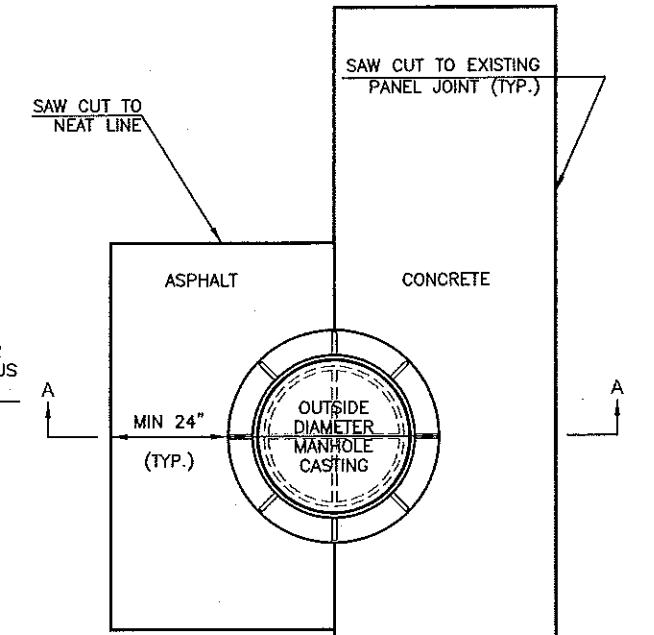


DETAIL OF REHABILITATION WITH CEMENTITIOUS COATING ON 4' DIAMETER EXISTING MANHOLES

- LEGEND**
- LIQUID EPOXY
 - CAST-IN-PLACE CONCRETE
 - EXISTING DETERIORATED CONCRETE OR BRICK MORTAR TO BE REMOVED
 - SELECT MATERIAL WITH TYPE 'A' COMPACTION
 - COMPACTED TOPSOIL
 - FLOWABLE FILL

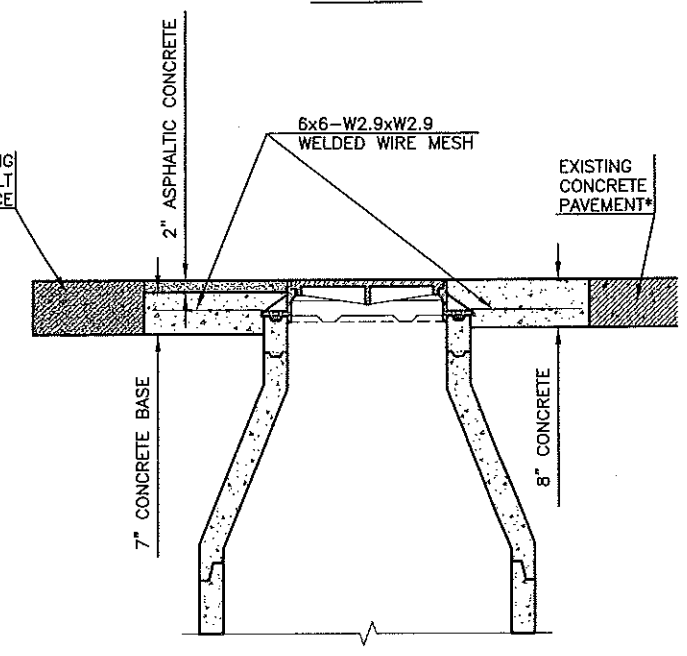


DETAIL OF MANHOLE REHABILITATION WITH CAST-IN-PLACE CONCRETE AND PVC LINER ON 4' DIAMETER EXISTING MANHOLES



NOTE:
PAVEMENT REMOVAL IN CONCRETE AREAS SHALL INCLUDE REPLACEMENT OF THE ENTIRE SECTION OF ANY PANEL DISTURBED. SAW-CUTTING AND REPLACEMENT OF PARTIAL PANELS SHALL NOT BE ALLOWED WITHOUT THE APPROVAL OF THE PROJECT REPRESENTATIVE.

PLAN VIEW



SECTION A-A
PAVEMENT REMOVAL AND REPLACEMENT DETAILS

* ANY EXISTING PANEL OF CONCRETE PAVEMENT PARTIALLY REMOVED OR DISTURBED DURING CONSTRUCTION ACTIVITIES SHALL BE COMPLETELY REMOVED AND REPLACED IN ACCORDANCE WITH THE PROJECT SPECIFICATIONS AND/OR TYPICAL CITY/COUNTY STANDARD SPECIFICATIONS.

NO.	DATE	REVISION	BY	APP'D
1	Feb. 2008	Update	DHS SB	

DRAWN BY: *im/mc*
APP'D BY: *R. Clumby*



SHAWNEE COUNTY, KANSAS
PUBLIC WORKS DEPARTMENT
1515 NW SALINE
TOPEKA, KS 66618
(785) 233-7702



STANDARD DETAILS

MANHOLE REHABILITATION DETAILS
(DT-006)

DATE: Month Year
SHEET: X of X
PROJ.: X-XXXXXX